

# VHF S65-8280-45



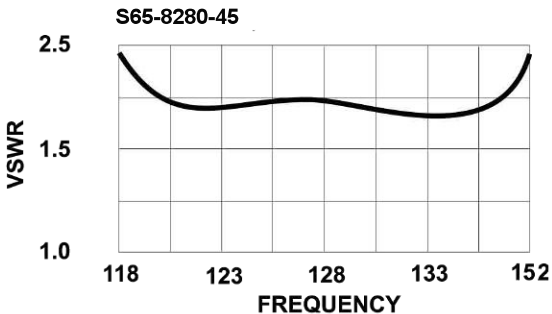
US Patent No. 4,509,053

## DESCRIPTION

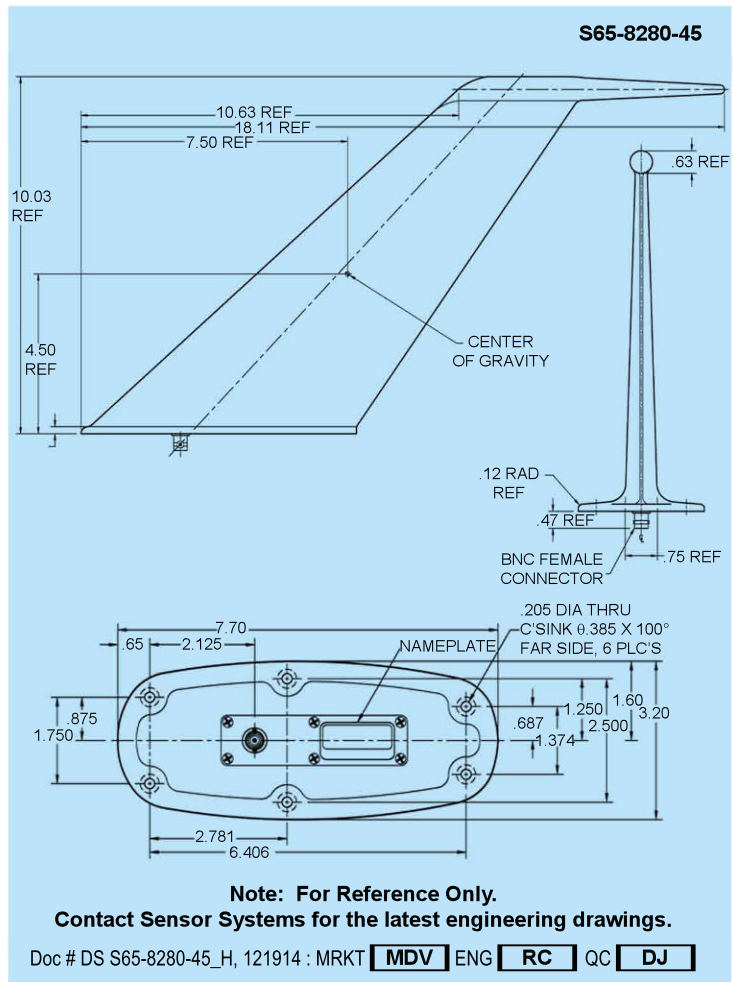
**S65-8280-45:** An all metal DC grounded VHF Communications Antenna for General Aviation and Corporate aircraft. The all metal design eliminates "P" static and is hermetically sealed which provides for a light weight, low-drag, rugged package. BNC type connector and six hole bolt pattern. Interchangeable with collins 37R-2, DMC-60, Dayton Granger VC10-126, and Chelton 12-1 through 12-7 Series.

**FEDERAL & MILITARY SPECS:** FAA TSO C37d, C38d, RTCA/DO-160G, MIL-STD-810B/D, MIL-HDBK-5400, SAE ARP5416, MIL-A-6271, MIL-STD-464.

## PERFORMANCE



SPECIFICATIONS	
<b>MODELS</b>	<b>S65-8282-45</b>
<b>ELECTRICAL</b>	
Frequency	118-152 MHz
VSWR	≤2.5:1
Pattern	1/4 Wave Monopole
Polarization	Vertical
Impedance	50 ohms
Power	40 watts
Lightning Protection	DC Grounded
<b>MECHANICAL</b>	
Weight	2.0 lbs.
Height	10.03 in.
Material	A356 Aluminum Alloy
Finish	Skydrol Resistant Polyurethane Enamel
Connector	BNC Female
Drag	M.80 @ 35,000 ft. = 0.7 lb.
<b>ENVIRONMENTAL</b>	
Temperature	-53°C (-64°F) to +95°C (+203°F)
Side Load	12 PSI
Vibration	10 G's
Altitude	80,000 ft.



Sensor Systems, Inc. 8929 Fullbright Ave., Chatsworth, CA 91311

Ph: 818-341-5366 Fax: 818-341-9059 Email: info@sensorantennas.com www.sensorantennas.com